



GARD 4

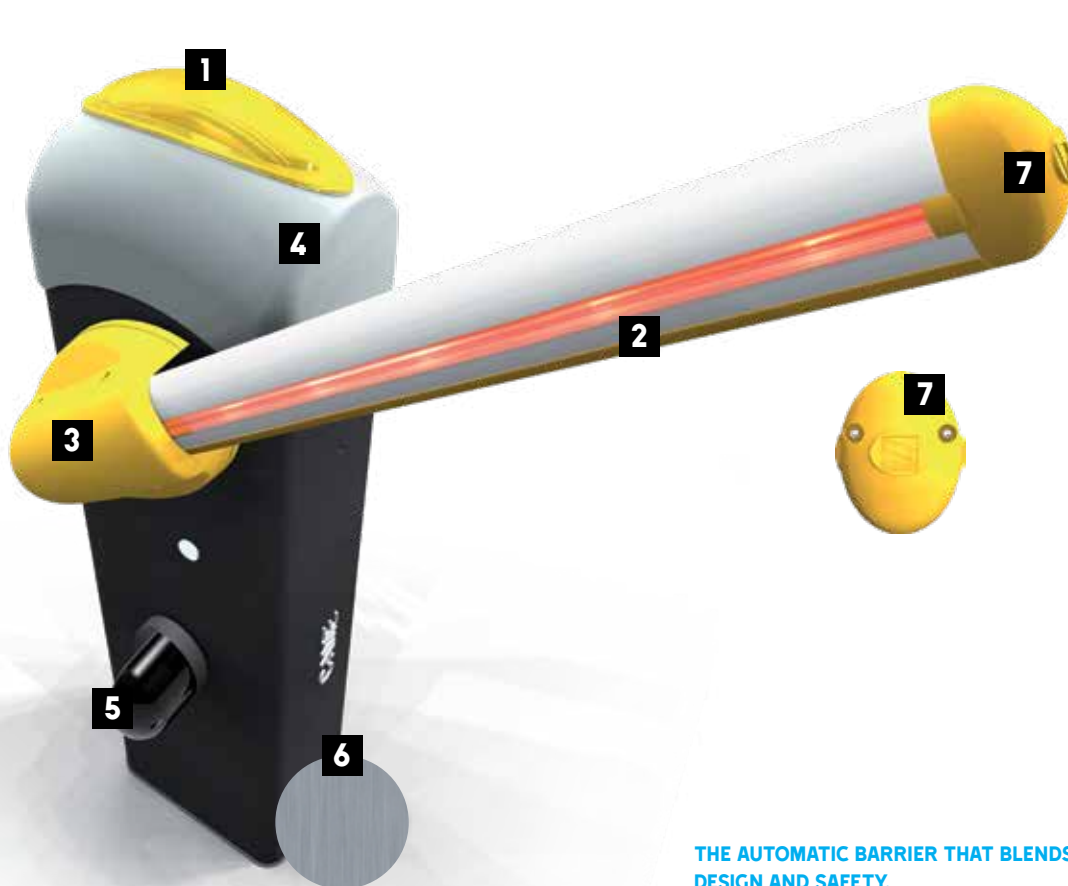
**IDEAL FOR ENTRY
AND EXIT
POINTS WITH
HEAVY TRAFFIC.**

Net clearance width
of up to 3,75m

CAME  **BPT**

• CAMEBPT.CO.ZA





- 1** Built-in LED flashing light requires no maintenance and ensure total visibility
- 2** Luminous cord intermittent signal lights, for enhanced visibility of the boom and absolute duration of the lighted bodies
- 3** Boom cover guard
- 4** Die-cast aluminum guard to protect the command and control electronics and make any maintenance job extremely easy
- 5** Built-in safety photocells fit directly onto the barrier cabinet
- 6** Gard 4 is also available with AISI 304 satin-finish stainless steel, mod. G4040IZ - G4040IE
- 7** Oval boom with anti-impact rubber edge. Maximum sail-effect reduction, to ensure proper operation even in areas swept by strong winds

THE AUTOMATIC BARRIER THAT BLENDS DESIGN AND SAFETY.

The Gard 4 series barrier is specific for passage widths of up to 3.75 m (12.3 ft). Soft edges and rounded corners make for a solution that fits perfectly in various installation settings.



THE ADVANTAGES OF CAME'S GARD 4

- A stylishly modern barrier with aesthetics that blend into any setting.
- The LED dome flashing light is durable and provides safety, while the photocells can be integrated into the cabinet.
- The protective case protects the boom movement against possible shearing while opening and closing.
- Can be set up for paired or alternate operating modes by fitting the RSE control card (for the G4040E – G4040IE barriers).
- The 24 V DC power supply is the best choice for heavy duty service conditions.



TOTAL CONTROL

The Gard 4 series is available in various models, all with built-in control panel. The electronics feature encoder technology for controlling the boom and detecting any obstructions. A quick self-diagnosis of the safety devices is performed before the operator even starts to move, thus boosting and improving its standard control and safety features.

GLOBAL ENTRY POINT CONTROL

Each automatic barrier of the Gard 4 series, can be connected to different Came access control systems for identifying, memorizing and enabling entry or exit only to authorized personnel.

JOINTED-BOOM

The special semi-oval barrier accessory is for installing the barrier where space is an issue height-wise, such as in underground parking facilities.

GARD 4 TECHNOLOGY



GUARANTEED 24 VOLTS

The 24 V DC gearmotors are designed for intensive duty and are guaranteed to work even during power outages. This icon also means that a product is powered by low voltage.



CAME CONNECT

This product can be remotely controlled via CAME Connect Cloud-technology.



ENCODER

Gearmotor or operator with Encoder.



120 V AC

Operator or gearmotor that runs on 120 V AC.

READ UP AT CAME.COM ABOUT THE FULL RANGE OF CAME OPERATORS AND ACCESSORIES



TRANSMITTERS



PHOTOCELLS



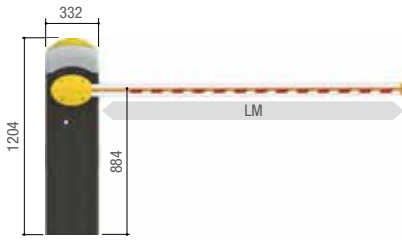
SELECTOR SWITCH



12 KEYPAD
SELECTOR

Came is a market leading home, industrial, and special technological projects automation manufacturing company. A full range of household solutions: from operators for gates and garage doors, to shutter and awning winding motors, and even home automation control, to burglar proof and video entry systems. Technology and reliability to serve your business, thanks to solutions designed for powering large industrial doors, automatic doors, street barriers, turnstiles, access control systems and parking facilities.

DIMENSIONS (MM)



LM = Max. net clearance width



OPERATING LIMITS (M)

MODELS	G4040Z	G4040IZ	G4040E	G4040IE
Max. net clearance width (m)	3,75	3,75	3,75	3,75

TECHNICAL CHARACTERISTICS

MODELS	G4040Z	G4040IZ	G4040E	G4040IE
Protection rating (IP)	54	54	54	54
Power supply (V - 50/60 Hz)	230 AC	230 AC	230 AC	230 AC
Power supply to motor (V)	24 DC	24 DC	24 DC	24 DC
Absorption (A)	15 Max.	15 Max.	15 Max.	15 Max.
Power (W)	300	300	300	300
Opening time at 90° (s)	2 ÷ 6*	2 ÷ 6*	2 ÷ 6*	2 ÷ 6*
Duty/cycle (%)	HEAVY-DUTY CYCLE	HEAVY-DUTY CYCLE	HEAVY-DUTY CYCLE	HEAVY-DUTY CYCLE
Torque (Nm)	600	600	600	600
Operating temperature (°C)	-20 ÷ +55	-20 ÷ +55	-20 ÷ +55	-20 ÷ +55

NOTES: * The speed must be adjusted to the boom's dimensions

■ 24 V DC

APPLICATIONS



G04002



G04003

G04002

PLUS, detaching, boom fastener. After impact, the detached boom turns 90° and the end rests onto the ground.

G04003

BASIC, detaching, boom fastener. After impact, the end of the detached boom rests onto the ground.

CAME BPT

Johannesburg
Unit 6, Touchdown
Industrial Park, Ridge
Road, Bartlett Ext 114,
Boksburg, Johannesburg

Tel. 011 616 3222
Fax. 011 622 1384

Pretoria
Shop 3, Paragon Centre,
191 Corobay Avenue,
Waterkloof Glen, Ext. 2,
Pretoria

Tel. 012 348 0541
Fax. 086 541 9784

Cape Town
Unit 5 N1 Park, Sandpiper
Crescent, Okavango
Industrial, Brakenfell
Cape Town

Tel. 021 981 8227
Fax. 021 981 5074

Durban
Unit 9, Constantia Park,
1415 North Coast Road,
Durban North

Tel. 031 569 1927
Tech/2nd Line. 031 569 1986

• CAMEBPT.CO.ZA