



# TARGHA

## Audio and Video Entry Panel Series

The Entry panel from Bpt merges the utmost modularity and functionality with the most advanced aesthetic values contemporary design has to offer. Just a few codes is all it takes to find the right solution for any need. Made from anodized aluminium. The Targha entry panel's high-tech appearance blends in effortlessly with the style of any building. Easy to install, Targha is particularly suitable wherever leaving the existing structures untouched is of paramount importance.

- Maximum security at accesses
- IP54 protection
- Maximum resistance to tampering and vandalism for vandal resistant version (Available on request)

### MODELS



Video Entry Panel



Audio Entry Panel



6-Button Entry Panel



12-Button Entry Panel



HEV/301 VR  
Vandal resistant  
entry panel  
Example



Modular entry  
panel (Digital call),  
complete with  
keypad



MULTI  
WIRED  
200

multi-wired

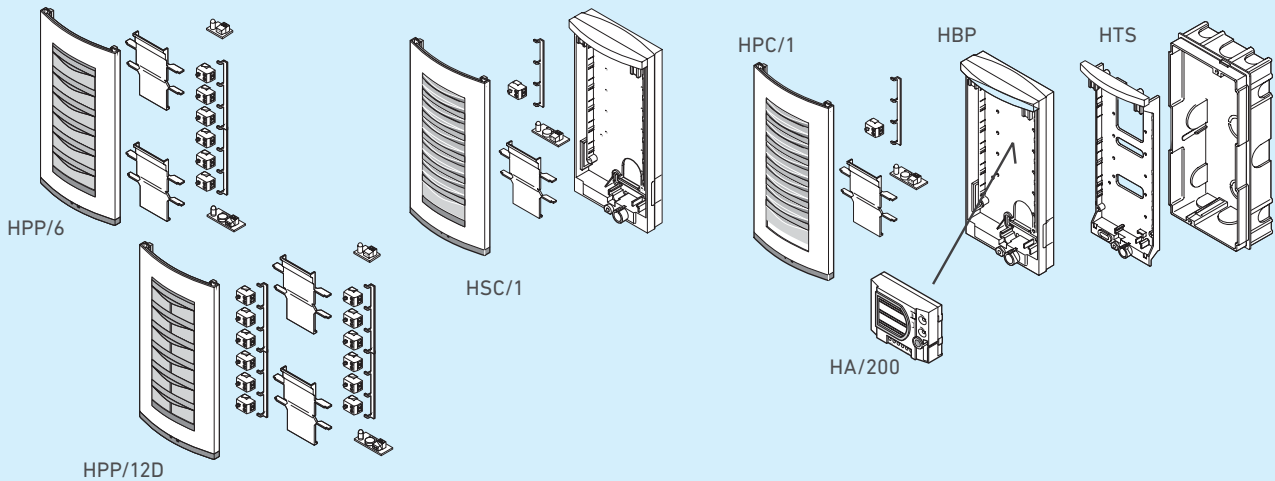


2 wires

# TECHNICAL CHARACTERISTICS

## INSTALLATION

The entry panels in the Targha range can be wall-mounted or recessed into the wall.



## ITEM CODES

Item	Description
<b>TARGHA - SYSTEM 200</b>	
HSC/1	HPC/1 plus HBP combination
HA/200	Audio module
KHPS	Single pushbutton kit for Targha
KHPD	Double pushbutton kit for Targha
HPP/6	Front plate 6 button for Targha
HPP/12D	Front plate 12 button for Targha
HPC/1	Front plate 1 button for Targha
HBP	Surface housing for Targha
HTS	Embedding box for Targha
<b>TARGHA - SYSTEM X1 - RECESSED</b>	
HEC/301	Audio entry panel with 1 button (HTS included)
HEP/306	6 Button entry panel (HTS included)
HEP/312D	12 Button entry panel (HTS included)
HEVC/301	Video entry panel with 1 button - colour camera (HTS included)
VZS/308C	Interface to encode 8 analogue calls
HAC/300LR	Digital entry panel with name directory - 2000 names (HTS not included)
HAC/X2LR	Interface module for digital entry panel
HBP/M	Metal wall mounting box